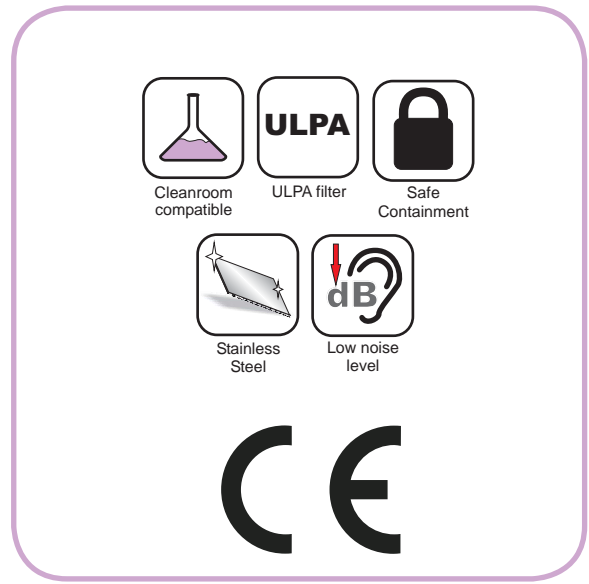


# CR-1000 UPLPA

ELECTRICALLY OPERATED CLEANROOM VACUUM CLEANER SYSTEM  
 MODEL CR-1000 UPLPA  
 AVAILABLE WITH SAFE CONTAINMENT CANISTER



- Compatible with ISO Class 4 (Former Class 10) Cleanroom conditions. Suitable for pharmaceutical applications.
- UPLPA Filter efficiency of 99.999% @ 0.12 micron. Tested: IEST RP-CC001.3. Filtration efficiency of 99.9995% @ 0.18 micron. Tested: IEST RP-CC001.3. U15 by MPPS method as per EN 1822.
- High performance at a low cost.
- Low noise level: only 60dB(A) at 2m (6.6')
- Ready to use: UPLPA filter and protector housing, paper filter bags and PTFE laminated main cloth filter are included.
- Four wheels for extra manoeuvrability.
- Filter chamber and recovery tank are made if AISI Type 316 Stainless Steel and are autoclavable.
- Available with Tiger-Vac's Safe Containment Canister for the safe collection, containment and disposal of potent compounds. The canister is sealed, a paper filter bag is located on the suction intake and a HEPA filter is located at the the exhaust. The entire canister can be disposed of when full.
- Three tool kits are available to choose from:
  1. Standard tool kit, 32mm/1¼";
  2. ESD Safe tool kit, 32mm/1¼";
  3. Autoclavable tool kit, 32 mm/1¼".



**Top:** CR-1000 with Stainless steel  
 AISI 316 Recovery tank  
**Right:** CR-1000 with safe containment  
 canister



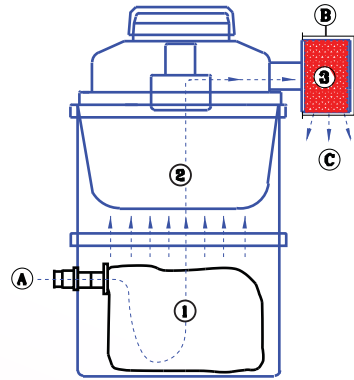
## Technical specifications

Model	Volts/Hz	Electric current	Electric power	Airflow	Vacuum at sealed orifice	Recovery capacity
CR-1000 ULPA	240/50	4.3A	1 kW	45 ℓ/s	2444 mm H <sub>2</sub> O	16 ℓ (4 gal) (paper filter bag: 8 ℓ (2 gal))
Dimensions: L41cm (16") x W41cm (16") x H56cm (22"). 8.6kg (19 lbs). Power cord length: 10m (33').					Noise level: 60dB(A) at 2m (6.6')	

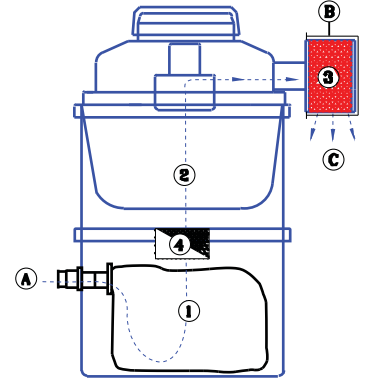
CR-1000 WITH 55318 RECOVERY TANK

CR-1000 WITH SAFE CONTAINMENT CANISTER

### Filtration system:



1	Paper filter bag (pkg. of 5)
2	PTFE laminated main cloth filter
3	ULPA Filter efficiency of 99.999% @ 0.12 micron. Tested: IEST RP-CC001.3. Filtration efficiency of 99.9995% @ 0.18 micron. Tested: IEST RP-CC001.3. U15 by MPPS method as per EN 1822.
4	HEPA Filter efficiency of 99.995% @ 0.3 micron. Tested: IEST RP-CC001.3. H14 by MPPS method as per EN 1822.
A	Suction intake
B	ULPA Filter protector housing
C	Clean air exhaust

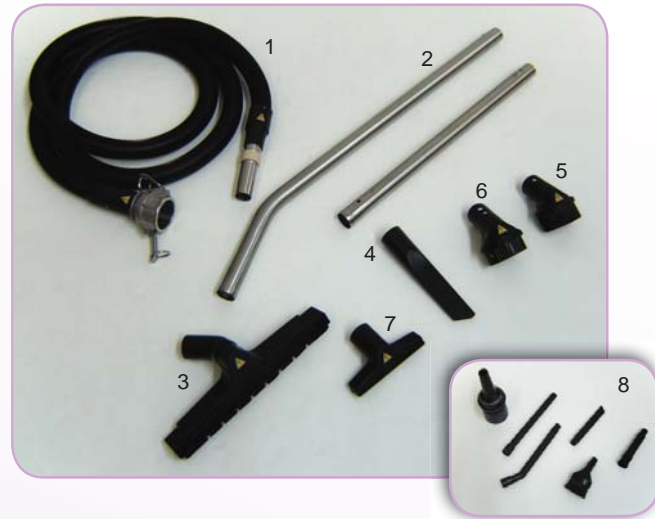


### Ø32mm Standard tools and accessories (Kit #1)

#	Part number	Description
	323600	Complete tool kit - Standard (kit #1)
1	323606	Suction Hose Assembly. 2.6m
2	323504A	Extension Wand, telescopic. Made of plastic
3	323508	Floor Tool. 36cm
4	323510	Crevice Tool. 20cm
5	323514	Dusting Brush. 8cm
6	323512	Upholstery Tool. 12.7cm

### Ø32mm ESD safe tools and accessories (Kit #2)

#	Part number	Description
	323602	Complete tool kit - ESD Safe (kit #2)
1	323608	ESD safe suction hose assembly. 2.6m
2	323331	Wands, set of 2. One curved and one straight
3	323318A	Utility Floor Tool with brushes. ESD safe plastic
4	323313A	Crevice Tool. ESD safe plastic
5	323312A	Round Brush. ESD safe plastic
6	323321A	Round Tool with rubber blades. ESD safe plastic
7	323314A	Flat Tool. ESD safe plastic
8	323316	Micro Tool Kit. 6 mini attachments. ESD safe plastic



### Ø32mm Autoclavable tools and accessories (Kit #3)

#	Part number	Description
	323604	Complete tool kit - Autoclavable (kit #3)
1	323462	EDPM Suction hose assembly. Autoclavable. 2.6m
2	323412	Floor tool w/nylon wheels and nitrile rubber blades. 30 cm. Stainless steel AISI 304
3	323413	Crevice tool. 25.4 cm. Stainless steel AISI 304
4	323565	Conical nozzle with curved tip. 25.4 cm. Clear silicone
5	323331	Wands, set of 2. One curved and one straight. Stainless steel AISI 304