



**INDUSTRIAL VACUUM CLEANER SYSTEMS
PNEUMATIC (AIR-OPERATED)
MODEL AVSD-14 - HEPA FILTRATION AVAILABLE
STATIC DISSIPATIVE/GROUNDED**



- In accordance with ATEX 100a, Directive 94/9 EC for Category 2 - Zone 1-2 (Gas) and Zone 21- 22 (Dust) hazardous locations, for non-electrical equipment.
- This vacuum cleaner system, along with its accessories, is grounded to ensure static dissipation during use. Please make sure that the air supply hose *SD is attached to a grounded air supply.
- The model AVSD-14 is equipped with a 6mm venturi jet. 5mm and 7mm venturi jets are available upon request to better suit specific compressed air availability and to provide the best performance for each application (vacuum vs airflow.)
- Uses a venturi system to transform compressed air into powerful suction without the use of electricity. Tiger-Vac's venturi system has no moving parts and generates no heat for trouble free operation without wear.
- Powerful suction - Designed for industrial applications.
- Made of stainless steel with grounded suction intake.
- Disposable Paper Filter Bags (litres)

Warning:

This appliance is a wet & dry recovery, compressed air vacuum cleaner and is designed for use in four different environments:

- To pick up non-explosive dust and debris in an unzoned atmosphere (no risk of static spark or explosion.)
- To pick up non-explosive dust and debris in Zone 1 (Gas) and Zone 21 (Dust) atmospheres. Zone 1 (Gas) areas are classified areas in which an explosive atmosphere consisting of a mixture with air or flammable substances in the form of gas, vapour or mist is likely to occur in normal operations occasionally.
- To pick up combustible dust or debris that generates static and/or may also explode if ignited by a static spark in an unzoned atmosphere, with the exception of metallic dusts
- To pick up combustible dusts or debris that generates static and/or may explode if ignited by a static spark in a potentially explosive atmosphere classified ATEX Zone 22 for Dust, with the exception of metallic dusts.

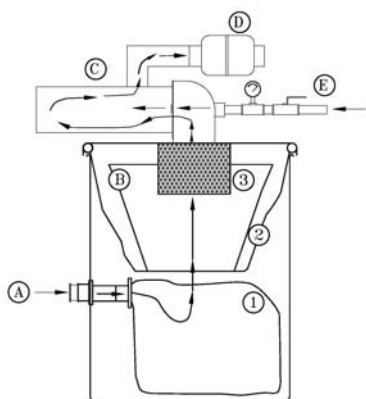
AVSD-14 industrial vacuum cleaner system can be used in areas where solvents and flammable liquids are present but CANNOT BE USED TO RECOVER SOLVENTS AND FLAMMABLE LIQUIDS.

Please see operating instruction manual for full operating details and safety instructions.

Compressed Air Requirements

Compressor size	Airjet	Air line size	Input Air pressure/bar	Suction Intake ø	Vacuum H ₂ O	Airflow
10-15 HP	5 mm	½"	80 psi/5.5 bar	2" (50mm)	120" (3048mm)	100 CFM (48 L/S)
15 HP	5mm	½"	80 psi/5.5 bar	2" (50mm)	130" (3302mm)	125 CFM (59 L/S)
30 HP	6mm	½"	80 psi/5.5 bar	2" (50mm)	170" (4320mm)	110 CFM (52 L/S)
30 HP	7mm	½"	80 psi/5.5 bar	2" (50mm)	250" (6350mm)	100 CFM (48 L/S)

Dimensions: L23" (59cm) x W21" (54cm) x H39.5" (101cm), 50 lbs. (22.6 kg) **Noise Level:** 72 dB(A) at 1.8m (6') from the venturi system.



PAPER BAG FILTRATION SYSTEM

- A-** Working Air Suction Intake
- B -** Main cloth Filter
- C -** Exhaust Silencer Housing
- D -** Includes a free muffler for an extra quiet operation, 78 dB(A) at 6' (1.8m) from the venturi systems
- E -** Air Pressure Supply Intake
- 1 -** Paper Filter Bag (Disposable)
- 2 -** Pre-Filter
- 3 -** HEPA Filter 99.995% @ 0.3 micron. Tested: IES-RP-CC-001.3 (H14 by MPPS method as per EN 1822) or ULPA Filter 99.999% @ 0.12 micron, Filtration efficiency of 99.9995% @ 0.18 micron. Tested: IES-RP-CC-001.3 (U15 by MPPS method as per EN 1822). Installed upstream - optional

TOOLS & ACCESSORIES ø1½" (38mm) INCLUDED



Suction Hose SD*
Ø1½" (38mm) x 10' (3m)
Part No. 383440B



Chrome Wand (2 pcs) SD*
Part No. 381163



Aluminum Floor Tool SD*
Part No. 381377A



Aluminum Crevice Tool SD*
Part No. 381188



Air Supply Hose SD*
Ø1½" (12.7mm) x 25' (7.5m)
Part No. 211029C

*SD: static dissipating & conductive

Warning!

Only tools and accessories provided by Tiger-Vac shall be used with this vacuum cleaner. Any other tools used will render the warranty null and void and may cause an explosion which could result in bodily harm. Tiger-Vac will not assume any responsibility for damage that may occur due to the improper use or handling of the vacuum cleaner system.

Attention:

To recover fuels, oils, and solvents as defined in Zone 1-2 (Gas) and metallic and combustible dusts as defined in Zone 21 (Dust), please contact our technical sales representatives or visit our web site to view our legally certified Explosion Proof/Dust Ignition Proof Vacuum Cleaner Systems.